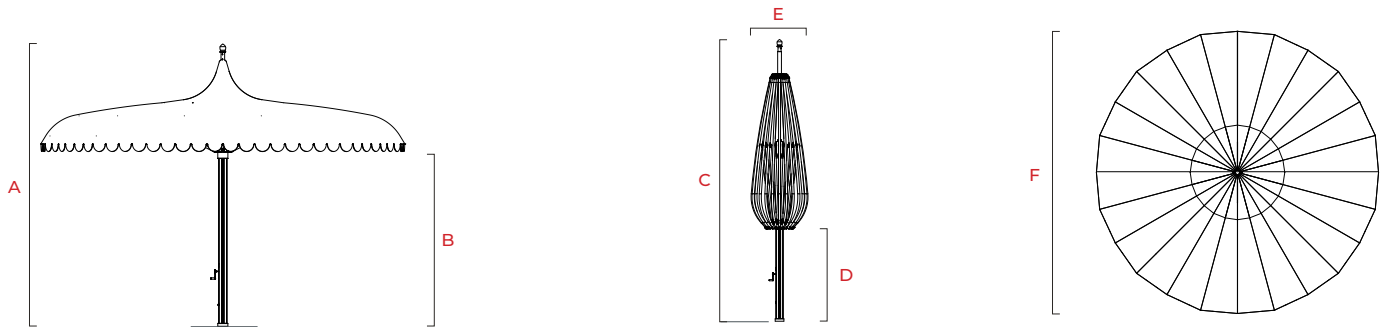




PRODUCT SPECIFICATIONS

OCEAN MASTER MEGA MAX VOILARE



SHAPES		ROUND
SIZES (ft/m)		20.0 / 6
<b>A</b> (in/cm)	MAST HEIGHT (open)	178 / 452
<b>B</b> (in/cm)	CANOPY CLEARANCE	104 / 264
<b>C</b> (in/cm)	MAST HEIGHT (closed)	208 / 528
<b>D</b> (in/cm)	TABLE CLEARANCE	63 / 160
<b>E</b> (in/cm)	PARASOL WIDTH (closed)	37 / 94
<b>F</b> (in/cm)	FLAT TO FLAT	238 / 605