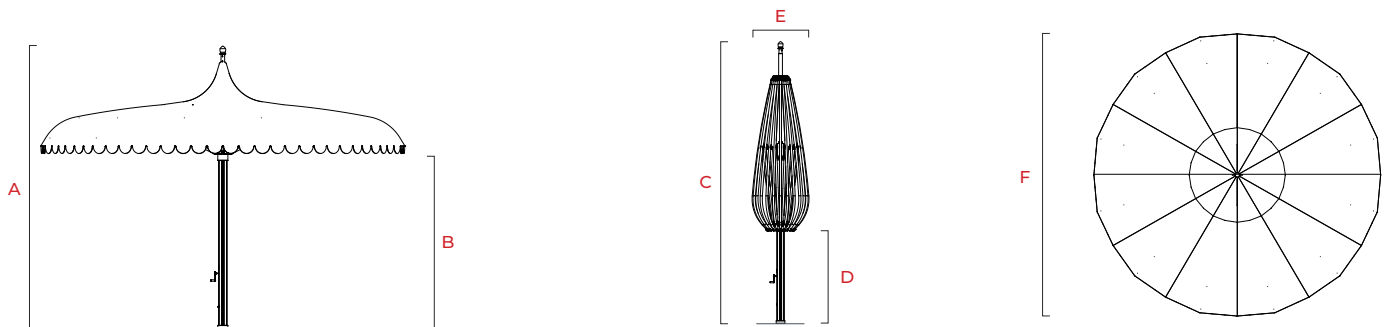




PRODUCT SPECIFICATIONS

OCEAN MASTER M1 VOILARE



SHAPES		ROUND	
SIZES (ft/cm)		8.5 / 259	11.0 / 335
A (in/cm)	MAST HEIGHT (open)	123/312	123/312
B (in/cm)	CANOPY CLEARANCE	85/216	85/216
C (in/cm)	MAST HEIGHT (closed)	117/ 297	117/ 297
D (in/cm)	TABLE CLEARANCE	48/122	35/89
E (in/cm)	PARASOL WIDTH (closed)	23/58	23/58
F (in/cm)	FLAT TO FLAT	103/259	133/338