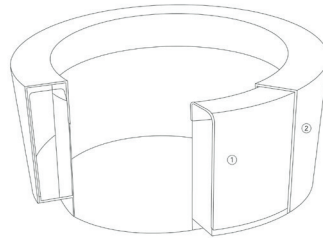


BRASS ROUND PLANTER

STANDARD / ON REQUEST



POLISHED BRASS



WEATHERED BRASS

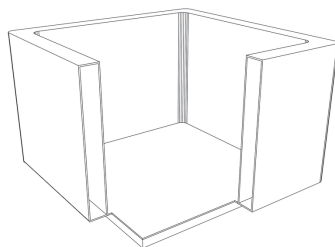


BRASS ROUND WEATHERED	DIAMETER	INNERCIRCLE	HEIGHT	WEIGHT	VOLUME
CPR052RWB	52 CM	38 CM	28 CM	9,1 KG	25 L
CPR062RWB	62 CM	46 CM	32 CM	12,5 KG	50 L
CPR070RWB	70 CM	50 CM	36 CM	17 KG	70 L
CPR090RWB	90 CM	65 CM	49 CM	25 KG	160 L
CPR110RWB	110 CM	80 CM	56 CM	40 KG	280 L
CPR140RWB	140 CM	100 CM	66 CM	70 KG	500 L
CPR170RWB	170 CM	120 CM	76 CM	96 KG	850 L
CPR200RWB	200 CM	140 CM	86 CM	130 KG	1300 L

BRASS ROUND GOLD	DIAMETER	INNERCIRCLE	HEIGHT	WEIGHT	VOLUME
CPR052RGB	52 CM	38 CM	28 CM	9,1 KG	25 L
CPR062RGB	62 CM	46 CM	32 CM	12,5 KG	50 L
CPR070RGB	70 CM	50 CM	36 CM	17 KG	70 L
CPR090RGB	90 CM	65 CM	49 CM	25 KG	160 L
CPR110RGB	110 CM	80 CM	56 CM	40 KG	280 L
CPR140RGB	140 CM	100 CM	66 CM	70 KG	500 L
CPR170RGB	170 CM	120 CM	76 CM	96 KG	850 L
CPR200RGB	200 CM	140 CM	86 CM	130 KG	1300 L

BRASS CUBE PLANTER

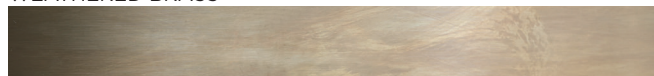
STANDARD / ON REQUEST



POLISHED BRASS



WEATHERED BRASS



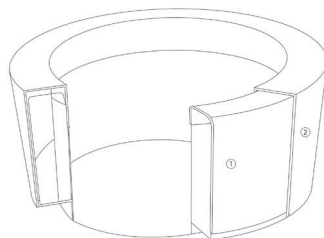
BRASS CUBE WEATHERED	WIDTH	DEPTH	HEIGHT	WEIGHT	VOLUME
CPR0707WB	70 X 70 CM	58 X 58 CM	52 CM	30 KG	160 L
CPR0909WB	90 X 90 CM	76 X 76 CM	62 CM	50 KG	350 L
CPR1111WB	110 X 110 CM	92 X 92 CM	72 CM	70 KG	580 L
CPR1414WB	140 X 140 CM	118 X 118 CM	84 CM	105 KG	900 L

BRASS CUBE GOLD	WIDTH	DEPTH	HEIGHT	WEIGHT	VOLUME
CPR0707GB	70 X 70 CM	58 X 58 CM	52 CM	30 KG	160 L
CPR0909GB	90 X 90 CM	76 X 76 CM	62 CM	50 KG	350 L
CPR1111GB	110 X 110 CM	92 X 92 CM	72 CM	70 KG	580 L
CPR1414GB	140 X 140 CM	118 X 118 CM	84 CM	105 KG	900 L

POLYESTER ROUND PLANTER

STANDARD / ON REQUEST

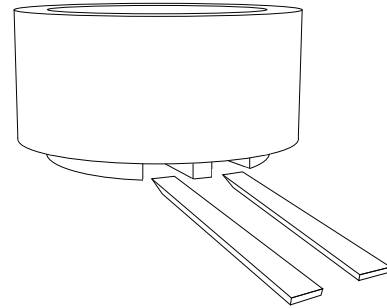
POLYESTER - AVAILABLE IN ALL RAL COLOURS



POLYESTER ROUND RAL	DIAMETER	INNERCIRCLE	HEIGHT	WEIGHT	VOLUME
CPR070RPRAL...	70 CM	50 CM	36 CM	13 KG	70 L
CPR090RPRAL...	90 CM	65 CM	49 CM	14 KG	160 L
CPR110RPRAL...	110 CM	80 CM	56 CM	26 KG	280 L
CPR140RPRAL...	140 CM	100 CM	66 CM	47 KG	500 L

FORKLIFT

Both round and square planters can be handled by a forklift, starting from size 140 cm.



STAINLESS STEEL DRAINAGE

For indoor use, the drainage must be closed.



For outdoor use, the drainage must be left open.

